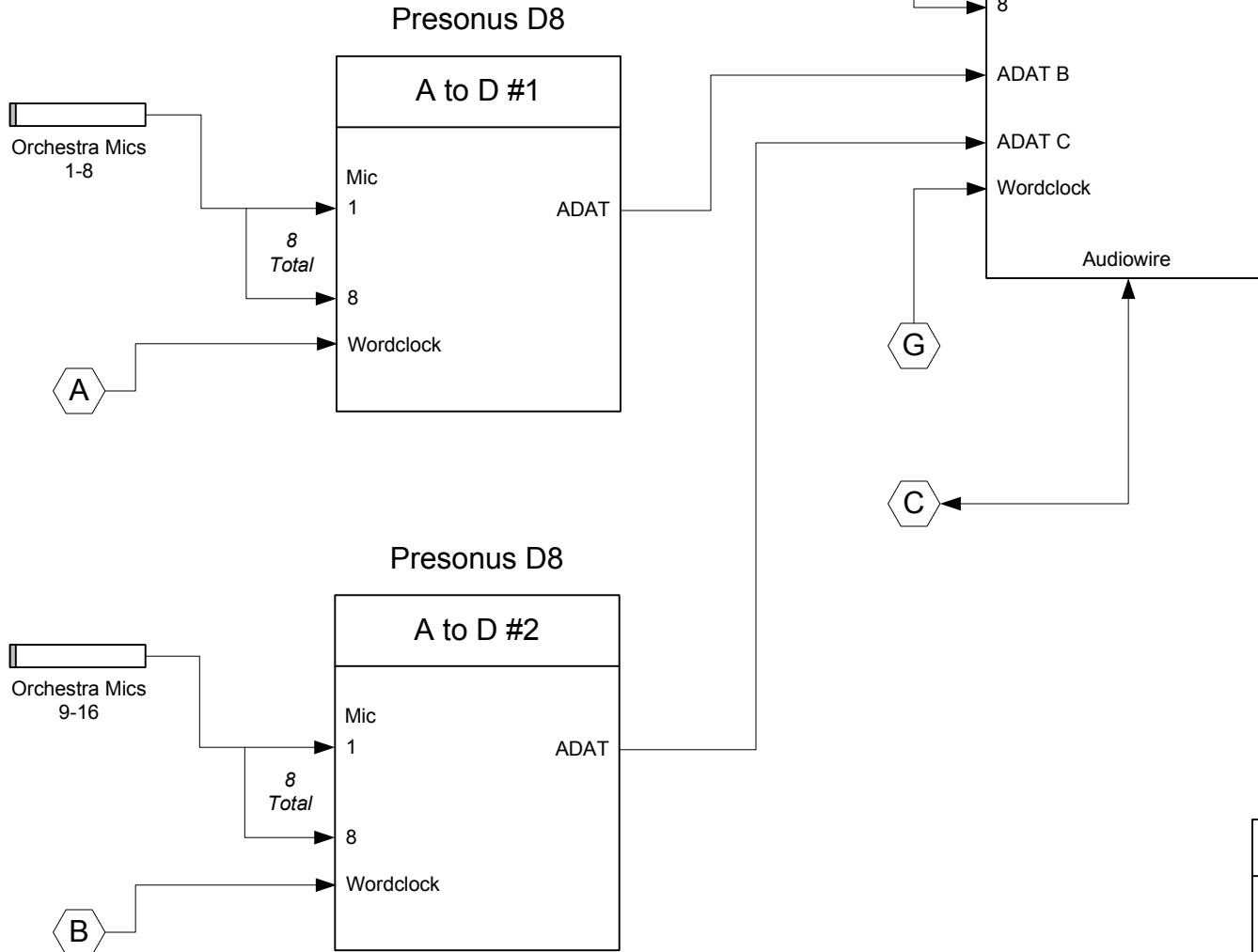
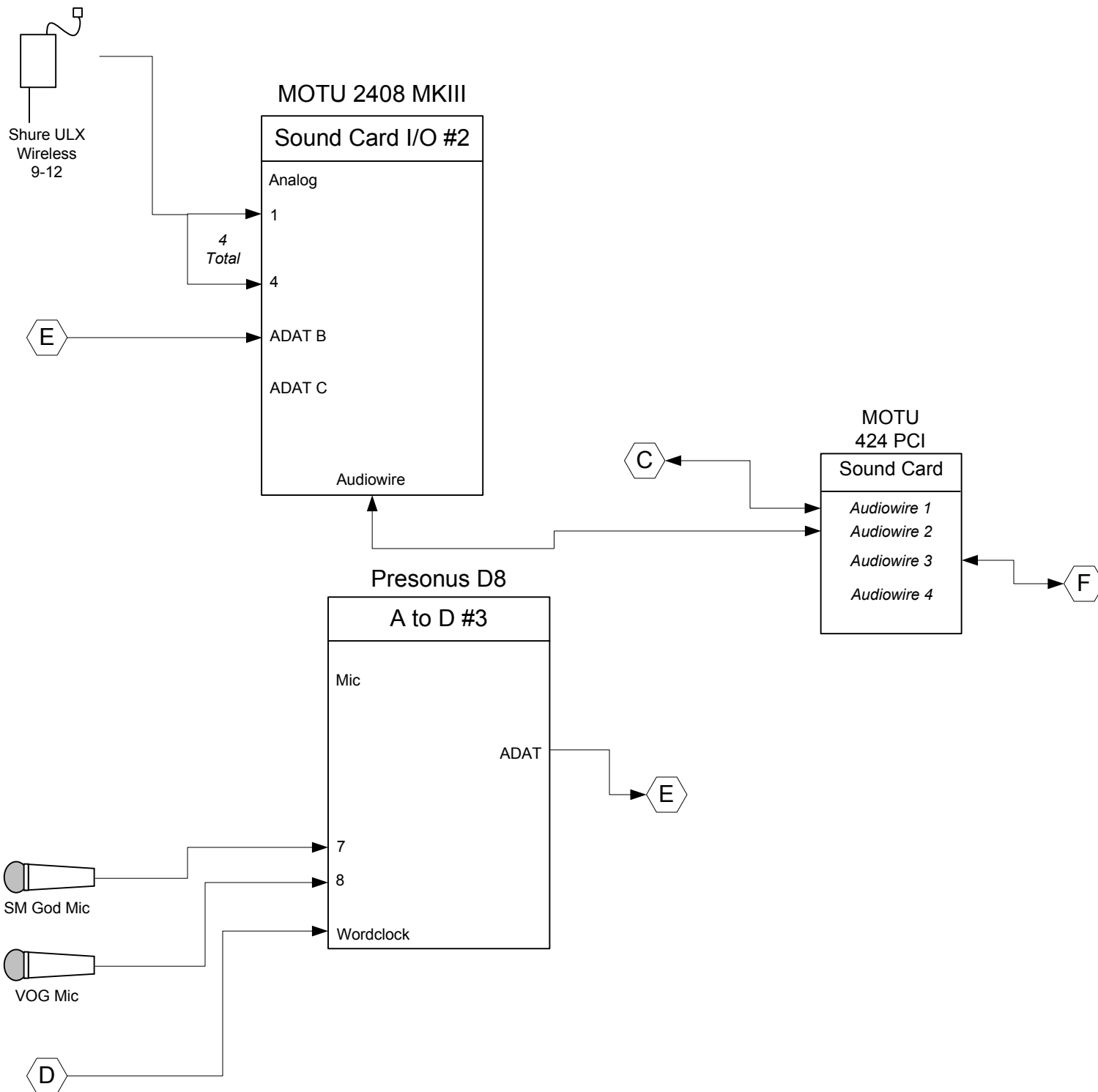
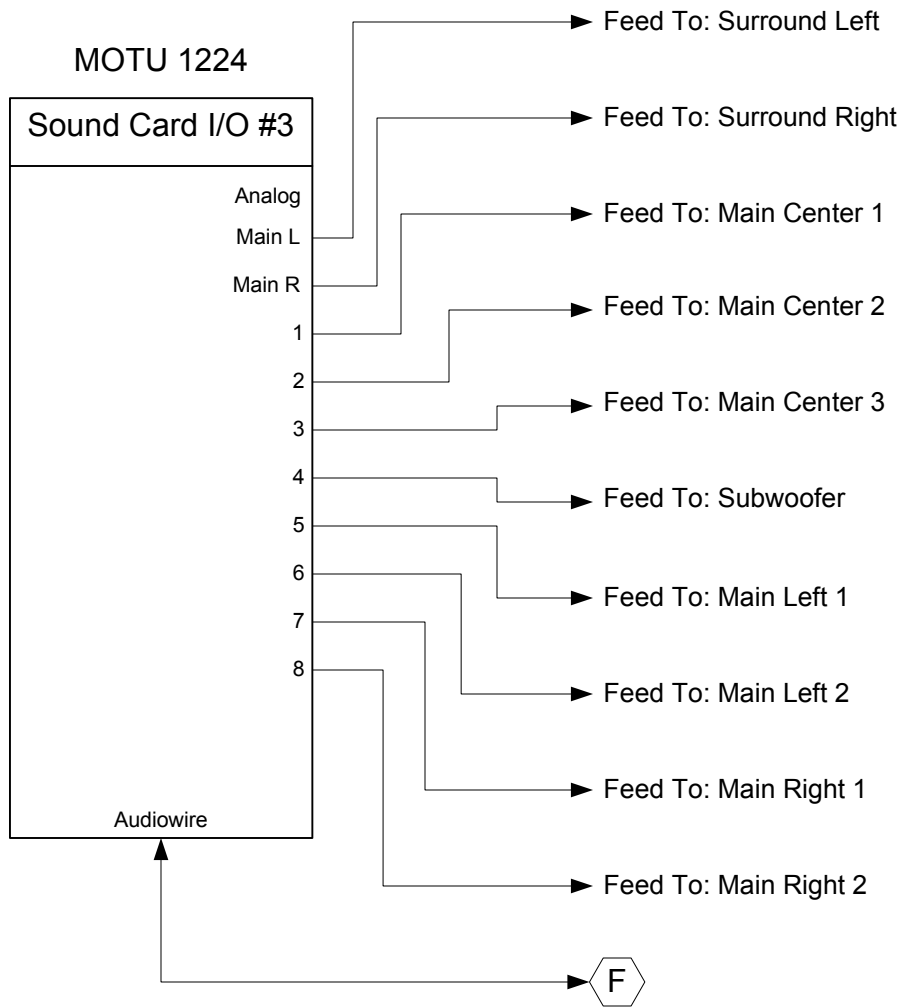


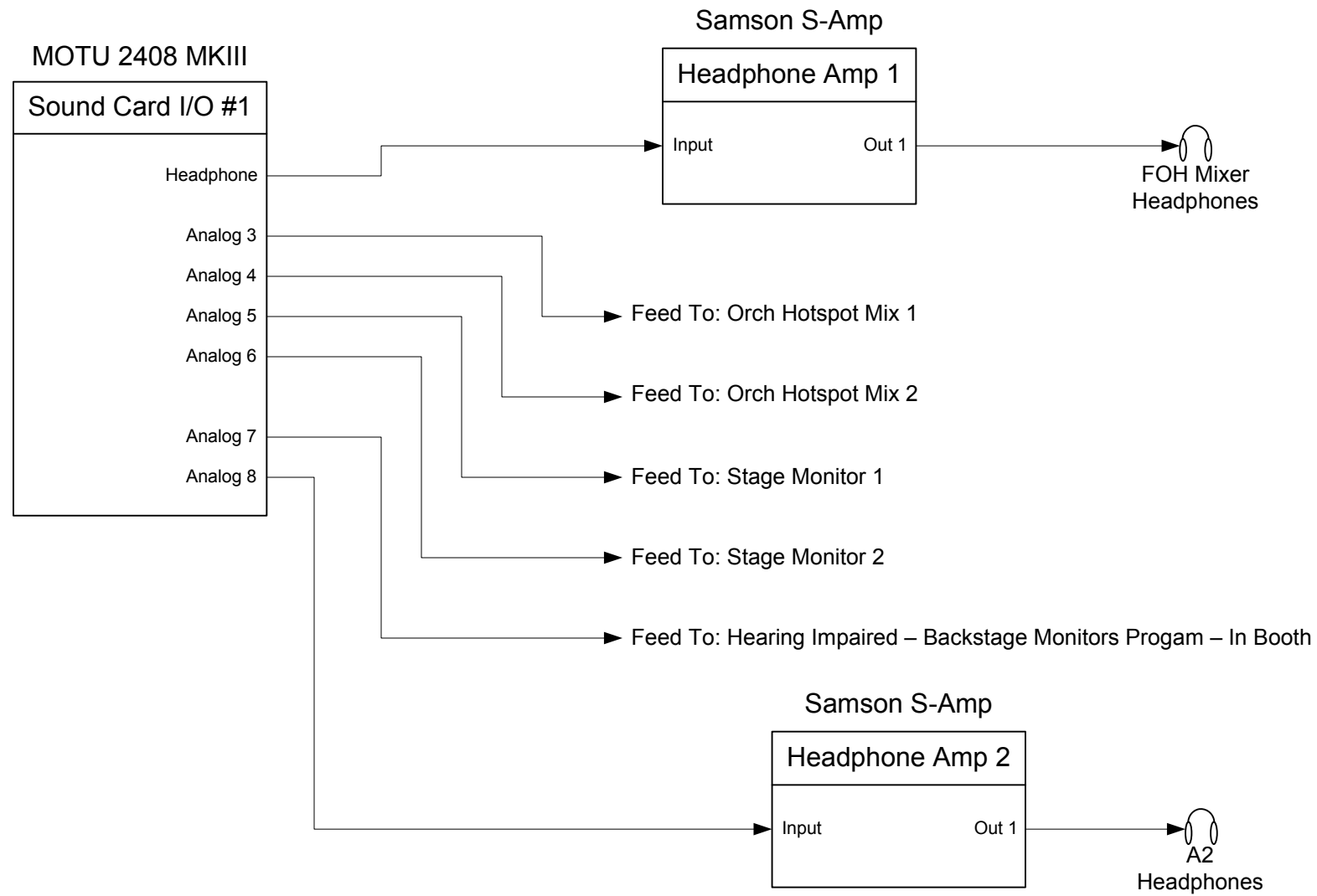
Shure ULX
Wireless 1-8

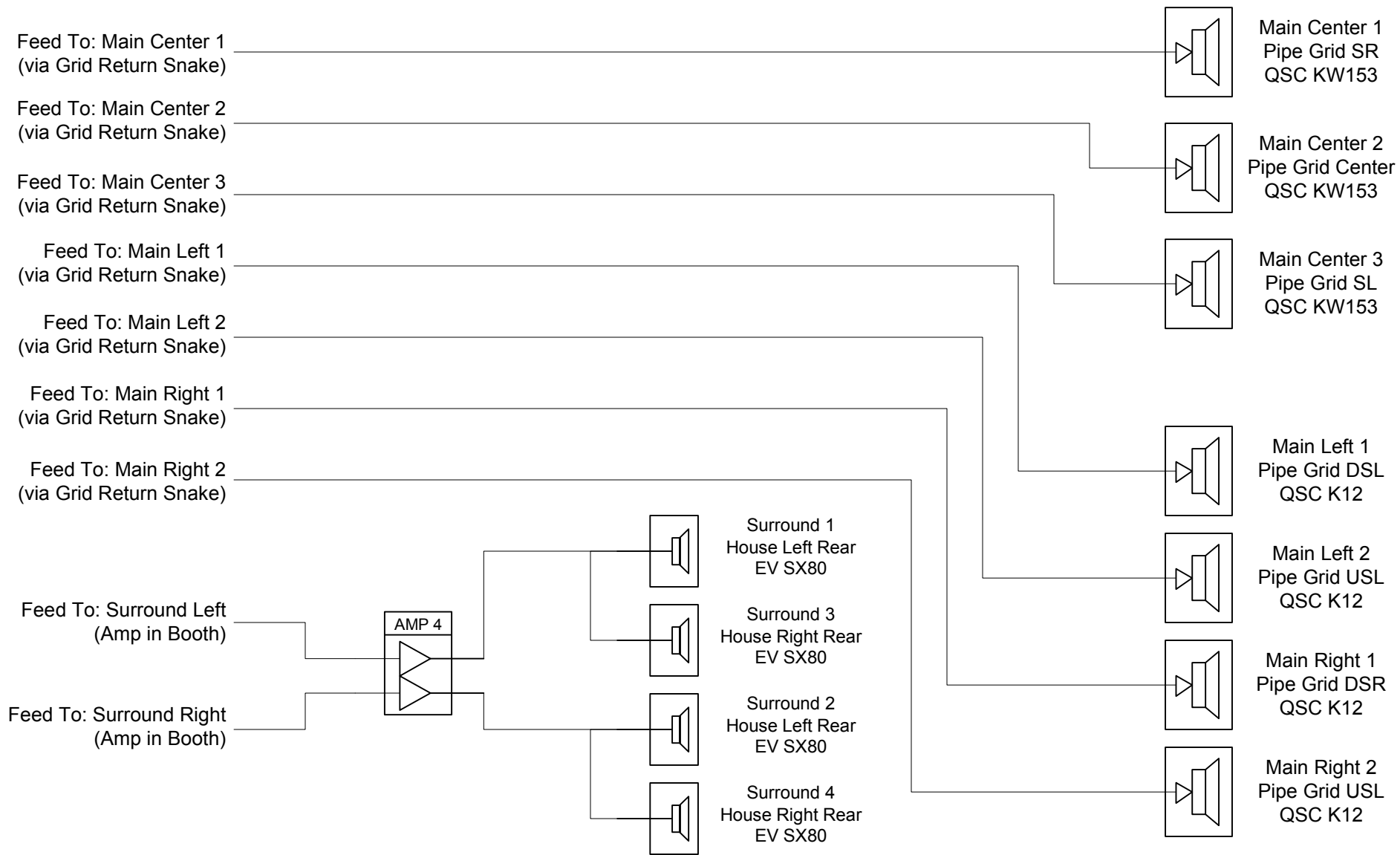


<i>Avenue Q</i>
Cain Park 2012 Director: R. Borski Design: R. B. Ingraham
FOH Inputs 1 Page 1 of 7 Saturday, May 26, 2012

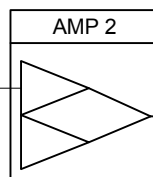








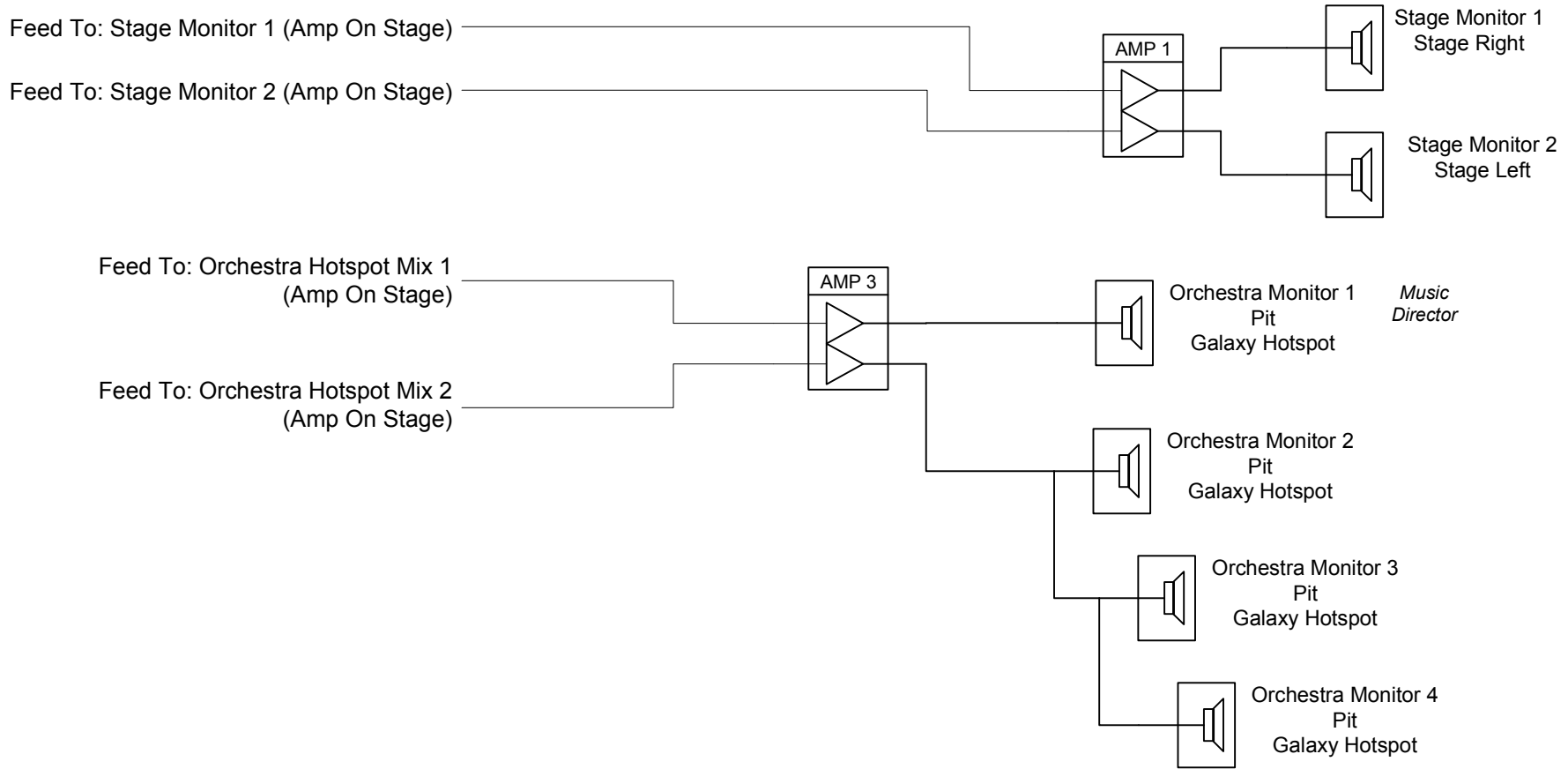
Feed To: Subwoofer
(Amp on Stage)



BRIDGED AMP

Subwoofer
On Stage

<i>Avenue Q</i>
Cain Park 2012 Director: R. Borski Design: R. B. Ingraham
Amps and Speakers - Main Page 5 of 7 Saturday, May 26, 2012



<i>Avenue Q</i>
Cain Park 2012 Director: R. Borski Design: R. B. Ingraham
Amps and Speakers - Monitors Page 6 of 7 Saturday, May 26, 2012

